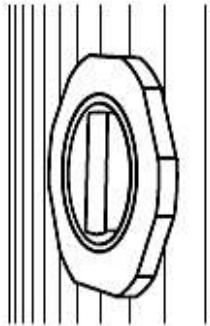
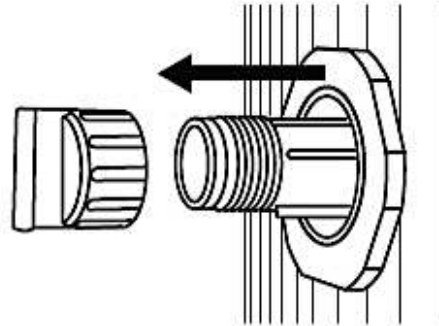


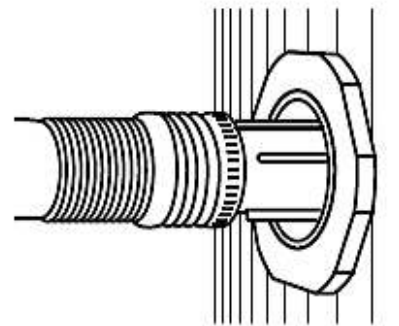
DRAIN INSTRUCTIONS



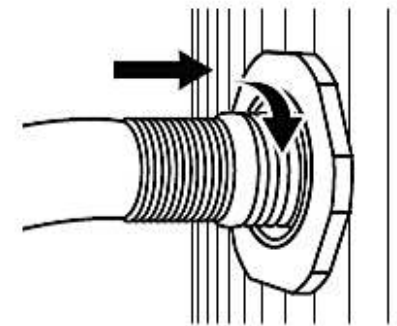
1. Inset closed position



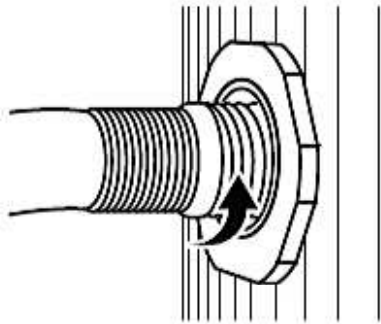
2. Extended closed position (pull out to fully extended position and remove cap); place cap in safe place.



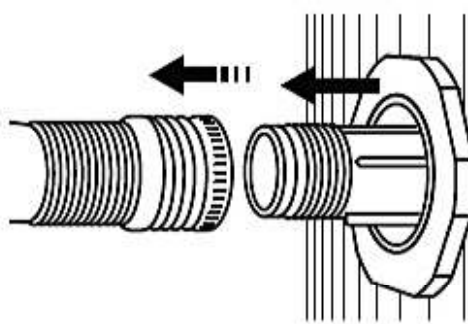
3. Full extended closed position (attach garden hose in the full extended closed position).



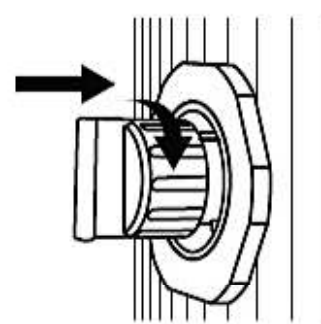
4. Open position for draining (turn hose and fitting ¼ turn clockwise and insert ½ way to open position for draining).



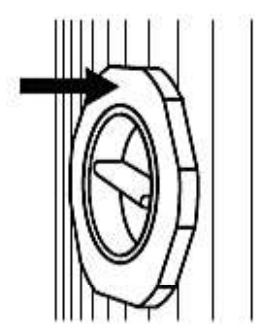
5. Open position for draining (turn hose and fitting ¼ turn counter clockwise and pull out to full extended closed position).



6. Full closed extended position (remove hose and replace cap).



7. With replaced cap screwed on, turn ¼ turn clockwise and push in all the way to inserted closed position.



8. Closed inserted position.