

Filter Cartridge:

This can be removed from the spa pool occasionally for basic cleaning.

To access the cartridge, hold the top edge of the filter door assembly and slide it upwards and out. Lift the leaf basket at the front edge to unclip it and lift out.

The filter cartridge can then be lifted out and hosed/rinsed clean.

If the filter appears clogged, soak it in an approved cartridge cleaner solution.

Re-install components back in the reverse order.

NOTE: The back edge of the leaf basket must lock into the slot at the back of the filter housing before clipping in place.

**Cedar Cabinet:**

As a standard, this has been treated in the factory with an oil based wood stain.

To prevent the cedar fading and turning grey over time, re-application of suitable wood stain or oil is recommended. Most hardware stores will stock and advise best usage of such products for natural cedar.

CHEMICAL TREATMENT (Dichlor)

YOUR FILLED SPA MUST BE SUPERVISED AT ALL TIMES WHEN THE LID IS UNLOCKED OR OPEN

FRESH WATER STARTUP (Town supply or rain water)

1. Dissolve 1 cup (250gm) of HARDNESS INCREASE in a bucket of warm water and add to spa with pump running. Allow ½ hour to pass before next step.
2. Slowly add 1 cup (250gm) of ALKALINITY INCREASE directly into spa water with pump running. Allow ½ hour to pass before next step.
3. Using a new TEST STRIP, check the pH of the spa water (refer to instructions on test strip container).
If pH is in the OK range, proceed to step 4.
If pH is above the OK range (7.2-7.6), add 1 teaspoon of PH DECREASE directly into spa water with pump running.
After 10 minutes, re-check the pH of the spa water using a new TEST STRIP and if it is still high, repeat above step using PH DECREASE until it is in the OK range.
4. Add 2 teaspoons of DICHLOR directly into spa water with pump running and leave spa lid off for 15 minutes. Do not use spa for 2 hours after this treatment.

DAILY USE (You may skip this step if an Ozone unit is fitted to your spa)

1. After using the spa, add 1 teaspoon of DICHLOR directly into spa water with pump running and leave spa lid off for 5 minutes. Do not use spa for 1 hour after this treatment.

WEEKLY

1. Test pH & Alkalinity using a new TEST STRIP. If necessary, adjust with chemical.
2. Shock dose by adding 2 teaspoons of DICHLOR directly into spa water with pump running and leave spa lid off for 15 minutes. Do not use spa for 2 hours after this treatment.

2-4 WEEKLY

1. Degrease the Filter Cartridge using the CARTRIDGE CLEANER (refer to instructions on the container).

8-10 WEEKS

Change water every 8-10 weeks or when TDS (total dissolved solids) reaches 1000ppm

HIGH USAGE/CLOUDY WATER

If an unusually high usage of the spa occurs in a day, or the water has suddenly turned cloudy, it may be necessary to follow up with an additional Shock dose by adding 2-3 teaspoons of DICHLOR directly into spa water with pump running and leave spa lid off for 15 minutes. Do not use spa for 2 hours after this treatment.

WATERFLOW

Jets:

Some of the jets can be turned on and off by twisting the face;

Clockwise = OFF

Anticlockwise = ON

The spa will run more efficiently when all jets are left turned ON.

DO NOT RUN THE SPA WITH ALL JETS TURNED OFF; DAMAGE MAY OCCUR

There are four main types of jet possible:

Directional; the nozzle can be moved to direct the water flow

Swirl; the nozzle rotates to swirl the water.

Fixed; the nozzle is fixed and cannot be turned off

Pulse Massage; large multi-nozzle, massage effect

Diverter Valve:

This is used to control the flow of water to the jets.

In the centre position, all jets will run.

Turning the handle one way or the other will shut off the water flow to a set of jets and divert it to the remainder of jets.

The spa will run more efficiently with the diverter in the centre position.



Air Controls:

The Air Control is used to turn on and off the air flow through the jets, creating volumes of bubbles.

The spa will run more efficiently with the Air Control in the closed position.



Digital Light (if fitted):

To switch on the digital light, briefly press the up ▲ arrow on the touchpad.

Multicolour light (if fitted):

The second press will give a colour that can be changed by pressing the down ▼ arrow.

The third and fourth presses of the up ▲ arrow will select a slower then faster cycle through all colours.

The fifth press of the up ▲ arrow will turn the light off.

DRAINING YOUR SPA POOL

NOTE: DISCONNECT THE POWER FIRST.

Near the bottom outside edge of the cabinet there is a round black drain fitting; this is connected to a drain in the footwell.

The drain fitting has a standard threaded connection for attaching a garden hose.

SEE ATTACHED PAGE FOR DRAINER VALVE OPERATION.

If the spa is to remain empty for an extended period of time, it is recommended that you undo the large black locking rings on the pipe that connects the pump to the heater and loosen this piece of pipe. This will allow the remainder of the system to drain.

GENERAL CARE & CLEANING

Pool Surface:

To prevent build up of deposits in and around the spa, we recommend periodic cleaning with a soft cloth or sponge.

When pool is drained, the acrylic surface may be cleaned using methylated spirits or other non-abrasive, non-detergent cleaners – For headrests, only use a cloth and water.

Trueform SPA POOLS SPA POOL INSTRUCTIONS

SP601 Controller: Milan, Patio, Family, Tasman, Pacific, Wairakei, Malibu, Relaxer, Sultan, Duo, Wanaka, Chairman, Sahara

Please read these instructions fully before attempting installation.
A FILLED SPA MUST ALWAYS BE SUPERVISED WHEN THE LID IS UNLOCKED

LOCATION

NOTE: All clear plastic top wrapping (if fitted) must be removed immediately on delivery and the lid to be fitted to prevent damage from the sun and environment.

The spa pool must be placed on a solid flat level surface, with no subsidence.

Suitable sites may include concrete pad, approved deck or a paved area.

The spa pool must not be placed directly onto the grass or dirt area.

The weight distribution is under the bottom edges of the cabinet and under the foot well. These areas must be fully supported.

The pump, heater and power-cord are located inside the cabinet on the same side as the touchpad. This side should be kept clear for service access and to drain your spa pool. **DO NOT SWITCH ON POWER AT THIS STAGE**

Remove the access panel by undoing the stainless steel screws with a #2 square driver.

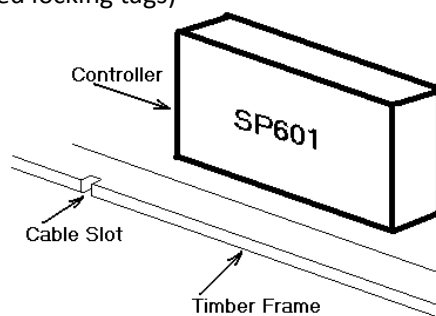
The touchpad instruction booklet will be in a plastic bag attached to one of the pipes.

On the pipes near the pump and heater there are 2 valves fitted with "T" shaped handles held in the open position by red locking tags.

These valves are for service purposes only (Do not remove the red locking tags)

POWER CORD - this may be fed outside by cutting a cable slot before re-attaching the access panel. (see diagram)

If cable access is required on any other side, a cable slot can be cut in the same manner into the timber frame



FILLING AND STARTING YOUR SPA POOL

Once your spa pool is in position, use a hose to fill with water above the highest jets, but not touching the headrests (adjust the water level later to suit comfort)

When filled, you may connect the power and switch the spa on.

By default, the control unit will power up in "Auto" mode.

The "Auto" light will illuminate, followed by the "Pump" light and the heater light.

The target temperature setting will be displayed; this can be adjusted by pressing and holding the down ▼ or up ▲ arrows.

Pressing ▼ and ▲ briefly together will flash the current water temperature.

Pump Button

Before closing the spa lid, ensure that the auto light is illuminated by pressing the pump button. (Enables the spa to automatically maintain water temperature)

When using the spa, you may press the pump button once to manually turn on the pump to Low Speed (auto light will turn off).

Pressing the pump button again will turn the pump to High Speed

Pressing the pump button again will turn off the pump and heater.

Air Button

This button has no function unless a blower unit is fitted